

# Swinghandle

**PROGRAM**

Contact: [Sales@SellIntell.com](mailto:Sales@SellIntell.com)

Swinghandle with two locking options. For single point or multiple point locking system



Combination Lock  
Has Key Override.



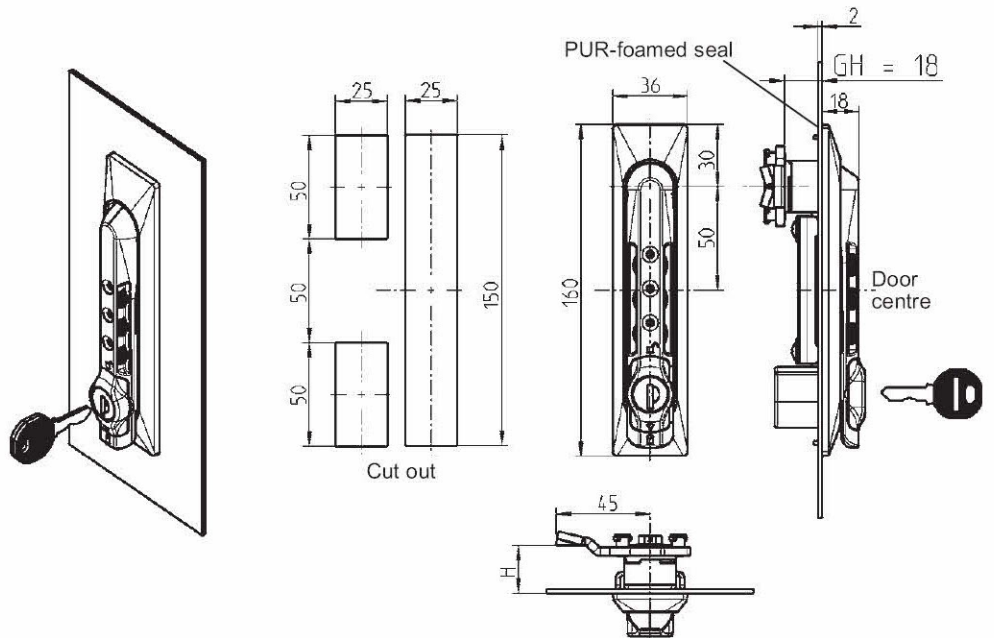
**Option 1:**

Release using round cylinder, operation as with usual swinghandles of program 1150. The combination lock remains untouched.



**Option 2:**

Release using combination lock and wing knob. The round cylinder remains locked. The arrow on the wing knob indicates the opened or closed position.



Swinghandle polyamide GF black, shaft zinc die zinc plated, round cylinder with stainless steel cap and shutter fixing material m.s. zinc pl., with seal

EMAIL: [Sales@sellIntell.com](mailto:Sales@sellIntell.com)